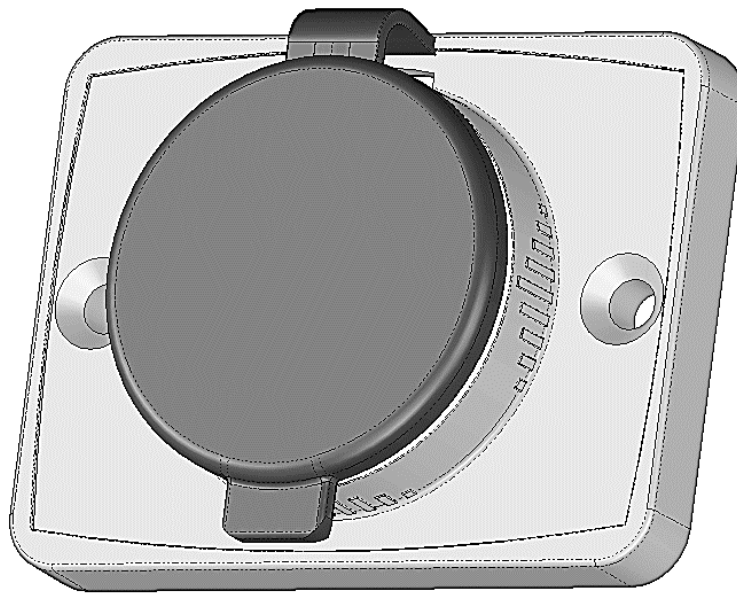


## PRODUCT DATASHEET

Part Name: Dual Port A+C Flat USB Charger

Part No: 057CR00040-00

Model No.: TUC30H



Dual Port A+C Flat USB Charger TUC30H

**Product Applications:** USB Chargers can be used in multitude of ways such as,

- Automotive, Rail and Public place Seat Mounting
- Railway Seat Mounting
- Rail / Auto Side Panel, Carriage Mounting

### Product Specifications:

#### Introduction

The increasing and widespread use of electronics like Smartphones etc., demands for accessible on the move charging systems. While today's technological world of electronics and automobiles is moving ever faster with increasing demand for faster and higher power charging to support today's true Smartphones and tech gadgets on the go. We proudly offer our latest and newest offering 'Dual Port A+C Flat USB Charger TUC30H', it's specifically designed to meet the requirements of today's fast charging.

It offers an impressive **18W output for A-type and 20W C-type USB (25W Peak Load)**. The charger comes with smart USB functions to operate at 5V/9V/12V as per the mobile configurations. This easy to install and sleek flat design offers flexibility for fitment and mounting in different configurations like side paneling, public seating, vehicle dashboard fascia mounting. The charger can be mounted using standard self-drilling screws #8 (St 4.2)\*2nos, the length of screws can be chosen as per standard availability and

## PRODUCT DATASHEET

the space constraints.

### Dimensional Specifications:

- Model No: Dual Port A+C Flat USB Charger TUC30H: L\*W\*H: 64.00mm\*48.00mm\*20mm

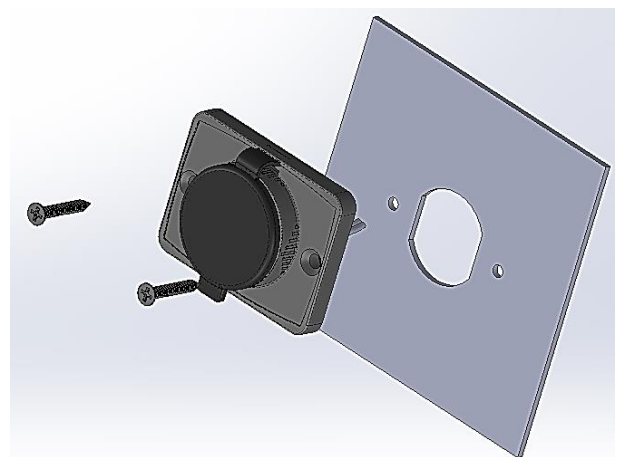
| Technical Specifications             |                                                                                         |
|--------------------------------------|-----------------------------------------------------------------------------------------|
| No. of sockets                       | 02Nos<br>01 x A-Type 3.0<br>01 x C-Type 3.0                                             |
| I/P Voltage                          | 12 / 24V DC                                                                             |
| I/P Voltage Range                    | 9-32V DC                                                                                |
| Sleep Current /<br>Quiescent current | <10 mA                                                                                  |
| Full Load I/P Current                | Port-A: 5V/3A, 9V/2A, 12V/1.5A<br>Port-C: 5V/3A, 9V/2A, 12V/2.5A                        |
| O/P Voltage                          | Port-A: 5V/9V/12V<br>Port-C: 5V/9V/12V                                                  |
| Supporting Protocol                  | Type A: QC 2.0, 3.0, PPS,<br>FCP, BC1.2DCP<br>Type C: PD2.0, 3.0, PPS, AFC,<br>BC1.2DCP |
| Device Efficiency                    | >85%                                                                                    |
| Status Indicator                     | Inbuilt LED Indicator                                                                   |
| Electronic Protections               |                                                                                         |
| Overload Current                     | Available                                                                               |
| I/P Reverse Polarity                 | Available                                                                               |
| O/P Short Circuit                    | Available                                                                               |
| Overvoltage and under<br>voltage     | Available                                                                               |
| Over temperature                     | Available                                                                               |
| Transient Voltage<br>Protection      | As per ISO 7637-2 for 12 and<br>24V DC                                                  |
| Catastrophic protection              | Available, Internal Fuse<br>protection available                                        |
| USB Connector<br>Endurance Testing   | 100,000 Plug-In Plug-out<br>Cycles                                                      |
| ON-OFF Endurance                     | 100,000 Cycles                                                                          |
| Environmental Operations             |                                                                                         |
| Storage Temperature                  | -40°C to +85°C,<br>(-40°F to 185°F)                                                     |
| Operating Temperature                | -40°C to +80°C<br>(-40°F to 176°F)                                                      |

| IP Protection              | IP 65 (With Cap closed)                |
|----------------------------|----------------------------------------|
| Operating Humidity         | < 95%, Non-condensing                  |
| Certifications             |                                        |
| Flammability               | As per UL 94 V0                        |
| RoHS compliance            | Available as per 2011/65/EU            |
| EMI / EMC approval         | As per AIS 004 Part 03                 |
| UN ECE R10.06              | E24*10R06/02*5865*00                   |
| CE marking and<br>Approval | Available                              |
| Total Weight               | 25gms (Approx.)                        |
| Plastic Material           | PA6+30%GF                              |
| Packaging Specifications   |                                        |
| Packaging                  | 50 No's / Box                          |
| Type of Packaging          | Environment Friendly<br>Corrugated box |

### Packaging Specifications:

|                                                           |
|-----------------------------------------------------------|
| Packaging: 50Nos / Box                                    |
| Type of packaging: Environment friendly Corrugated<br>Box |

### Installation Images



**Warranty:** Our wide ranges of chargers are manufactured using rugged components to provide years of service in demanding commercial environments and are covered by a 12 months warranty.

**Contact Details:**

Email: [info@tropicoolindia.com](mailto:info@tropicoolindia.com)

Website: <https://www.tropicoolindia.com/>

| Revision Status (For product) |            |                  |                                                   |
|-------------------------------|------------|------------------|---------------------------------------------------|
| Rev. No.                      | Rev. Date. | Revision Details | Remarks                                           |
| 00                            | 10/05/23   | New Release      | New Release                                       |
| 01                            | 28/09/24   | Rev 1            | V and I Specs updated with peak and operational W |