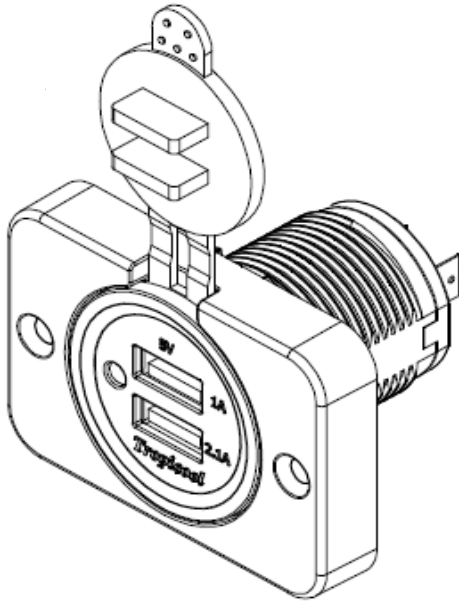


PRODUCT DATASHEET

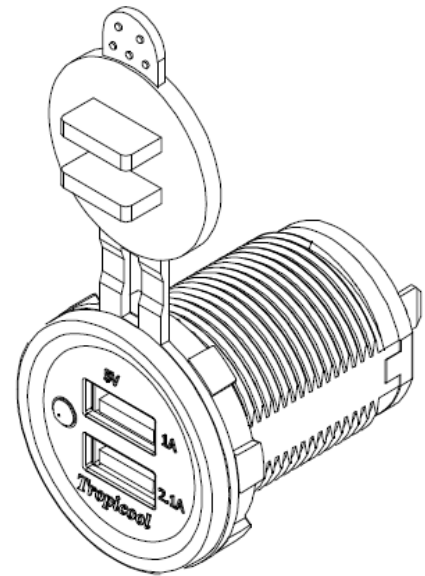
Part Name: Twin Port A+A USB Charger
 Part Name: Flush Mount Twin USB Charger

Part No: 057CR00038-00
 Part No: 057CR00042-00

Model No.:TUC20H
 Model No.:TUC20MH



a. Flush Mount Twin USB Charger TUC20MH



b. Twin Port A+A USB Charger TUC20H

Product Applications: USB Chargers can be used in multitude of ways such as,

- Automotive Dashboard Mounting
- Automotive Seat Mounting
- Railway Seat Mounting
- Rail / Auto Side Panel, Carriage Mounting

Product Specifications:

Introduction

The increasing and widespread use of electronics like Smartphones etc., demands for an accessible on the move charging systems. Our **Flush Mount Twin USB Charger TUC20MH** and **Twin Port A+A USB Charger TUC20H** is specifically designed to meet all the requirements for automotive applications. These easy to install USB Chargers can be fitted into the public seating, side panels (space permitting) and vehicle driver dashboards. These chargers are available both in both variants: Standard and Rear Nut. For standard model **Flush Mount Twin USB Charger TUC20MH** USB is secured with ring nut screwing from the rear and Mounting plate in the front, while for Rear Nut model only Ring Nut is used.

Dimensional Specifications:

- Model no.: **TUC20H** (rear ring fitment): L*D: 51.5 mm * Ø 28.5 mm.
- Model no.: **TUC20MH** (Standard fitment): L*D: 51.5mm*Ø 28.5mm. Mounting plate: L*W*H: 61mm * 43.25mm * 10.4mm.

PRODUCT DATASHEET

Technical Specifications	
No. of USB Sockets	02 (A+A), USB 2.0
I/P Voltage	12/24 V DC
I/P Voltage Range	9-32 V DC
Sleep Current / Quiescent current	<10 mA
Full Load I/P Current	12V: up to 1.6A 24V: up to 0.8A
O/P Voltage	5±0.25 V DC
O/P Current Capacity	3.1A Max
Device Efficiency	80% - 85%
Status Indicator	Blue LED
Electronic Protections	
Overload Current Protection	Available, 4A @ 5V DC
I/P Reverse Polarity Protection	Available
O/P Short Circuit Protection	Available
Overvoltage and under voltage	Available
Over temperature Protection	Available
Transient Voltage Protection	As per ISO 7637-2 for 12 and 24V DC
Catastrophic Protection	Available, Internal Fuse protection available
USB Connector Endurance Testing	100,000 Plug-In Plug-out Cycles
ON-OFF Endurance	100,000 USB On-OFF Cycles
Environmental Parameters	
Storage Temperature	-40°C to +85°C (-40°F to 185°F)
Operating Temperature	-40°C to +80°C (-40°F to 176°F)
IP Protection	IP 65
Operating Humidity	< 95%, Non-condensing RH

Certifications	
Flammability	Available UL94 V0 (PCB)
RoHS compliance	Available as per 2011/65/EU
EMI / EMC approval	As per AIS 004 Part 03
UN ECE R10.06	E24*10R06/02*5864*00
CE marking and Approval	Available

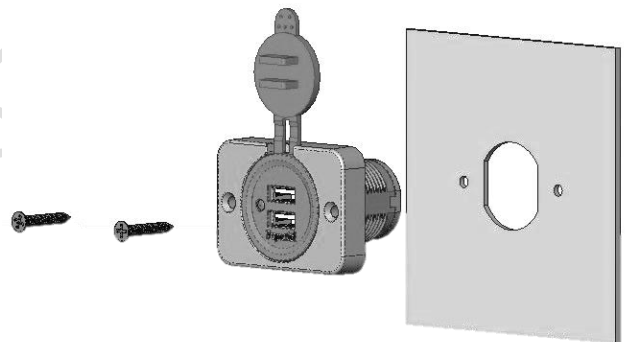
Material Specifications:

Total Weight (TUC20MH)	42.5gm approx.
Total Weight (TUC20H)	31.5gm approx.

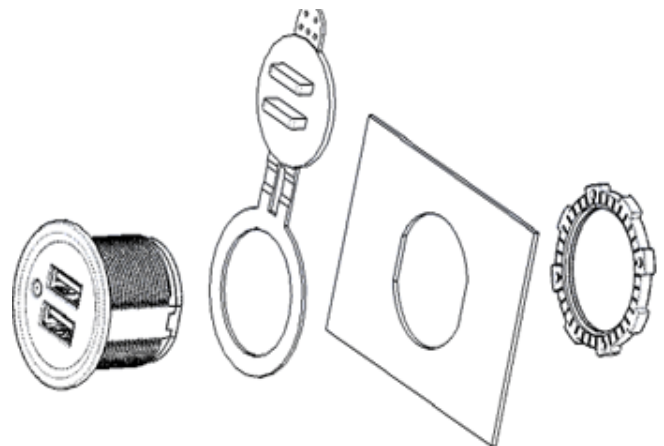
Packaging Specifications:

Packaging: 50Nos / Box
Type of packaging: Environment friendly Corrugated Box

Installation Images



Flush Mount Twin USB Charger TUC20MH



Twin Port A+A USB Charger TUC20H

Warranty: Our wide ranges of chargers are manufactured using rugged components to provide years of service in demanding commercial environments and are covered by a 12 months' warranty.

Contact Details:

- Email: info@tropicoolindia.com
- Website: <https://www.tropicoolindia.com/>

Revision Status (For product)			
Rev. No.	Rev. Date.	Revision Details	Remarks
00	10/05/23	New Release	New Release