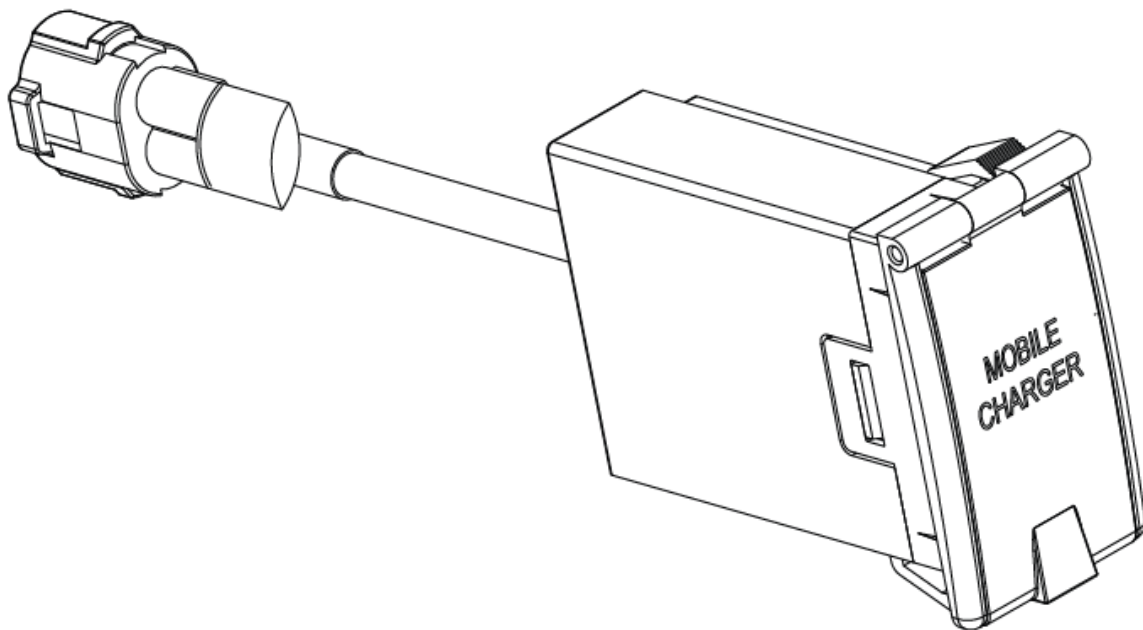


**PRODUCT DATASHEET**

Part Name: Single Port Type A USB Charger 1012H

Part No: 057CR00039-00

Model No.: 1012H



Single Port Type A USB Charger 1012H

**Product Applications:**

- Panel or Dashboard snap mounting for automotive, locomotive applications

**Product Specifications:**

The increasing and widespread use of electronics like Smartphones etc., demands for an accessible on the move charging systems. Our **Single Port Type-A USB Charger 1012H** is specifically designed to meet the panel and snap fitment requirements for automotive applications. It allows for compact dashboard fitment to allow for driver, co-driver mobile charging needs.

These easy to install USB Chargers can be snap fit into the vehicle driver dashboards, panel cutouts; they do not require any additional screws and screwing. The snap fit mechanism allows for reduced assembly time as no special tools are required.

**Dimensional Specifications:**Model no.: **1012H**, L\*W\*H: 57.8mm \* 49mm\* 28mm

Cutout Dimensions: Refer image b. for reference

**Technical Specifications:**

Technical Specifications	
No. of USB Sockets	01 x Type A, USB 2.0
I/P Voltage	12/24 V DC
I/P Voltage Range	9-32 V DC
Sleep Current / Quiescent current	<10 mA
Full Load I/P Current	12V: up to 1.6A 24V: up to 0.8A
O/P Voltage	5±0.25 V DC
O/P Current Capacity	3.1A Max.
Device Efficiency	80% - 85%
Electronic Protections	
Overload Current Protection	Available, 4A @ 5V DC
I/P Reverse Polarity Protection	Available
O/P Short Circuit Protection	Available
Overvoltage and under voltage Protection	Available
Over temperature Protection	Available
Transient Voltage Protection	As per ISO 7637-2 for 12 and 24V DC
Catastrophic Protection	Available, Internal Fuse protection available
USB Connector Endurance Testing	100,000 Plug-In Plug-out Cycles
ON-OFF Endurance	100,000 USB On-OFF Cycles
Environmental Operations	
Storage Temperature	-40°C to +85°C (-40°F to 185°F)
Operating Temperature	-40°C to +80°C (-40°F to 176°F)
IP Protection	IP5k5
Operating Humidity	95% RH, Non-condensing
Certifications	

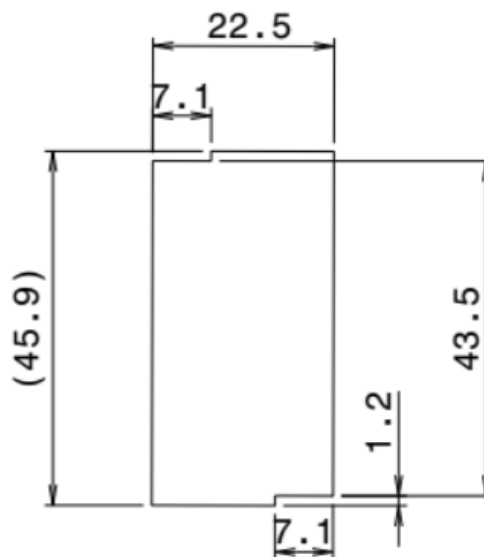
Flammability	As per UL 94 V0 (for PCB and Plastics)
RoHS compliance	Available
EMI / EMC approval	As per AIS 004 Part 03,
UN ECE R10.06	E24*10R06/02*5866*00
CE marking and Approval	Available

#### Material Specifications:

Total Weight	46.1gm approx.
--------------	----------------

#### Packaging Specifications:

Packaging: 50Nos / Box
Type of packaging: Environment friendly Corrugated Box



**Cut Out Dimensions**

**Warranty:** Our wide ranges of chargers are manufactured using rugged components to provide years of service in demanding commercial environments and are covered by a 12 months' warranty.

#### Contact Details:

- Email: [info@tropicoolindia.com](mailto:info@tropicoolindia.com)
- Website:  
<https://www.tropicoolindia.com/>

Revision Status (For product)			
Rev. No.	Rev. Date.	Revision Details	Remarks
00	10/05/23	New Release	New Release